

PHOENIX LiDAR SYSTEMS



THE ALPHA AL3-32

The Alpha AL3-32 is the lightest, highest density and most accurate survey grade 3D laser mapping system in the world. Designed from the ground up to meet the needs of the most demanding surveying and terrain professionals.



FEATURES

- » Survey-grade (cm-level) accuracy with 105m laser range and excellent intensity calibration
- » Fully autonomous, can be mounted on any drone, car, boat and/or even backpacks
- » Accuracy independently verified by a third-party, ask for a copy of the white paper
- » Easily upgradable to future LiDAR sensors
- » Modular upgrade options: Dual LiDAR Sensors, DSLR, GeniCam, GigEVision, thermal, multispectral, hyperspectral & custom sensors
- » Designed by surveyors for surveyors



AUTOMOTIVE MOUNT



AERIAL MOUNT

Please contact us for any questions about specifications, cost, and delivery.

✉ info@phoenixlidar.com
www.phoenixlidar.com

☎ 323-577-3366

QUICK SPECS

Absolute Accuracy
25 / 35 mm RMSE @ 50m Range

PP Attitude Heading RMS Error
0.009 / 0.017° IMU options

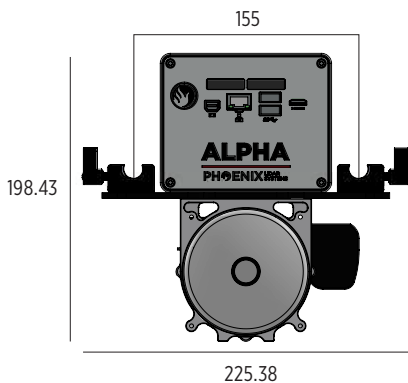
Weight
3.2kg / 7lb

Dimensions
29 L x 14 W x 22 H (cm)

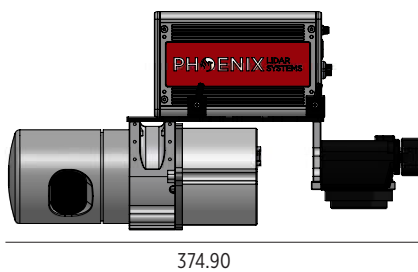
Laser Range
107 m @ 60% Reflectivity

Scan Rate
700k shots/s, up to 2 returns

AL3-32 | Front View



AL3-32 | Side View



PLATFORM

OVERALL DIMENSIONS	296 x 225 x 197 mm
OPERATING VOLTAGE	12-28 V
POWER CONSUMPTION	-40 W
WEIGHT	3.2 kg
OPERATING TEMPERATURE	-10° - 40° C

NAVIGATION SYSTEM

CONSTELLATION SUPPORT	GPS, GLONASS
SUPPORT ALIGNMENT	Static, Kinematic, Dual-Antenna
OPERATION MODES	Real-time, Postprocessing optional
ACCURACY POSITION	1cm + 1ppm RMS horizontal

LIDAR SENSOR

LASER PROPERTIES	Class 1 (eye safe), 905 nm
RANGE MIN / MAX / RESOLUTION	1.0 m / 120 m / 2mm
RMS RANGING ERROR	20 mm
SCAN RATE	700k shots/s, up to 1.4 mio points/s
FIELD OF RANGE	+10° to -30° Vertical / 360° Horizontal FOV
MULTIPLE ECHOES	2
NUMBER OF LASERS/PLANES	32
RECOMMENDED SCANNING HEIGHT AGL	20 - 60 m

Pointcloud Density

